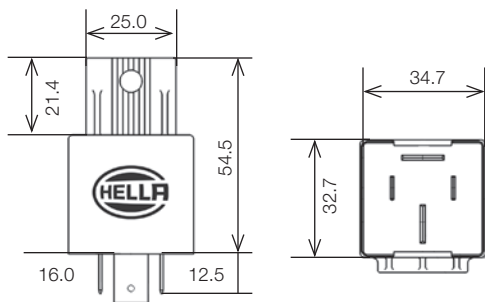


Part No.

003437081 - Single - Min Order Qty: 1
003437087 - Bulk- Min Order Qty: 120



Dimension Drawing



Technical Data

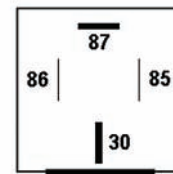
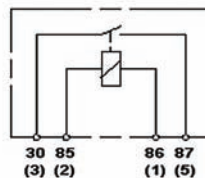
Nominal Voltage	12V	Operating / Releasing Time	≤ 10 ms / ≤ 20 ms
Rated Continuous Load	N/O 60A at 85°C	Dielectric Strength	≥ 1,000 VDC
Ambient Temperature	-40°C...+85°C	Max. Inrush Load	200A
Contact Form	1 Form A / SPST N/O	Resistive Load / Switching Cycles	60A, 100,000 cycles
Contact Material	AgSnO2	Inductive load / Switching Cycles	---
Operating / Drop out Voltage	≤ 7.5V / ≥ 1.0V	Lamp Load (capacitive) / Switching Cycles	---
Max.Coil Voltage	---	Vibration	20 – 200 Hz, 50 m/s ² , 6 h per axis
Coil Resistance	85 Ohm ± 10%	Mechanical Shock	500 m/s ² , 11 ms, period: 1 min, 1,000 times
Suppression	None	IP Rating	IP54 DIN IEC 60 529
Mechanical Cycles	10,000,000	Terminals	85, 86: ISO 8092 6.3 x 0.8, CuZn 30: ISO 8092 9.5 x 1.2, E-Cu, gal Sn 87: ISO 8092 9.5 x 1.2, E-Cu

Notes

Mini ISO Heavy Duty Relay

- 12 Volt
- 60 Amp Continuous
- SPST / Form A
- Mounting Bracket

Diagram



Accessories

- H84703001** RELAY SOCKET 70A 4 TERM, Qty: 1
- H84703007** RELAY SOCKET 70A 4 TERM, Qty: 50
- U84703007** RELAY SOCKET 70A 4 TERM, Qty: 2,100
- H84991151** TERMINAL 9.5 x 1.2 W/ CATCH 4.0-6.0mm2, Qty: 50
- 172615007** TERMINAL 9.5 x 1.2 W/ CATCH 4.0-6.0mm2, Qty: 2,000 /Spool
- H84991141** TERMINAL 9.5 x 1.2 W/ CATCH 6.0-10.0mm2, Qty: 50
- 172616007** TERM 9.5 x 1.2 W/ CATCH 6.0-10.0mm2, Qty: 1,800 /Spool
- 701235033** TERMINAL 6.3 x 0.8 W/ CATCH, Qty: 100
- 701235034** TERMINAL 6.3 x 0.8 W/ CATCH, Qty: 1,500

*All measurements are in Millimeters.

Cross Reference

Cole Hersee

RA-700112-NN

Tyco

VF7-41F11

V23134-J1052-D642