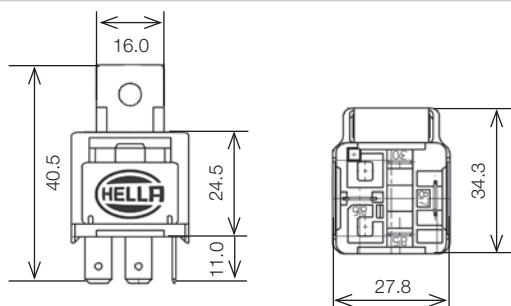


Part No.

003530001 - Single - Min Order Qty: 1
003530007 - Bulk - Min Order Qty: 112



Dimension Drawing



Technical Data

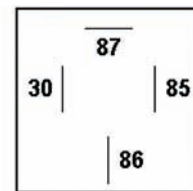
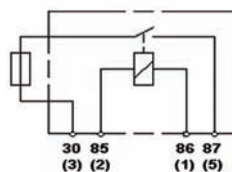
Nominal Voltage	12V	Operating / Releasing Time	≤ 10 ms / ≤ 10 ms
Rated Continuous Load	N/O 15A at 23°C	Dielectric Strength	≥ 1,000 VDC
Ambient Temperature	-40°C...+85°C	Max. Inrush Load	---
Contact Form	1 Form A / SPST N/O	Resistive Load / Switching Cycles	N/O 15A, 100,000 cycles
Contact Material	AgNi	Inductive load / Switching Cycles	---
Operating / Drop out Voltage	≤ 9.0V / ≥ 1.3V	Lamp Load (capacitive) / Switching Cycles	---
Max.Coil Voltage	24V	Vibration	20 – 200 Hz, 50 m/s ² 6 h per axis
Coil Resistance	85 Ohm ± 10%	Mechanical Shock	500 m/s ² , 11 ms, period: 1 min, 1,000 times
Suppression	Fuse	IP Rating	IP54 DIN IEC 60 529
Mechanical Cycles	10,000,000	Terminals	85, 86: ISO 8092 6.3 x 0.8, St3, gal Sn 30: ISO 8092 6.3 x 0.8, E-Cu, gal Sn 87: ISO 8092 6.3 x 0.8, E-Cu

Notes

Mini ISO Relay with 15A Fuse

- 12 Volt
- SPST / Form A
- With Built-in 15Amp Fuse
- 15 Amp Continuous
- Mounting Bracket

Diagram



Accessories

- H84989031** RELAY SOCKET MINI 5 TERM PRINTED CIRCUIT BOARD, Qty: 1
- H84989037** RELAY SOCKET MINI 5 TERM PRINTED CIRCUIT BOARD, Qty: 50
- H84989011** RELAY SOCKET MINI 5 TERM W/ BRACKET, Qty: 1
- H84989017** RELAY SOCKET MINI 5 TERM W/ BRACKET, Qty: 50
- U84989017** RELAY SOCKET MINI 5 TERM W/ BRACKET, Qty: 1,000
- H84526001** RELAY SOCKET MINI 5/9 TERM W/ BRACKET, Qty: 1
- 003526002** RELAY SOCKET MINI 5/9 TERM W/ BRACKET, Qty: 50
- 003526001** RELAY SOCKET MINI 5/9 TERM W/ BRACKET, Qty: 1,000
- H84989021** RELAY SOCKET MINI 5 TERM F/HARNESS, Qty: 1
- H84989027** RELAY SOCKET MINI 5 TERM F/HARNESS, Qty: 50
- 701235033** TERMINAL 6.3MM x 0.8MM W/ CATCH, Qty: 100
- 701235034** TERMINAL 6.3MM x 0.8MM W/ CATCH, Qty: 1,500

*All measurements are in Millimeters.