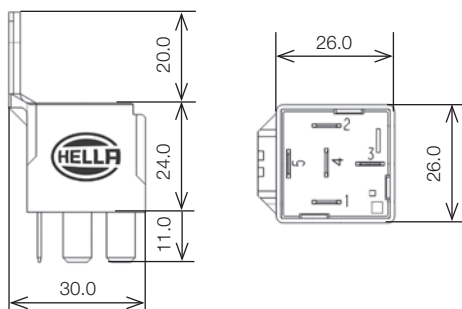


**Part No.**

**007794031 - Single - Min Order Qty: 1**  
**007794037 - Bulk - Min Order Qty: 200**



**Dimension Drawing**



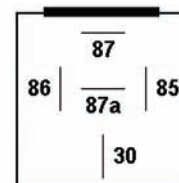
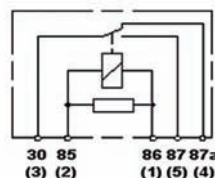
**Technical Data**

<b>Nominal Voltage</b>	12V	<b>Operating / Releasing Time</b>	≤ 10 ms / ≤ 10 ms
<b>Rated Continuous Load</b>	N/O 40A   N/C 20A at 85°C	<b>Dielectric Strength</b>	≥ 1,000 VDC
<b>Ambient Temperature</b>	-40°C...+125°C	<b>Max. Inrush Load</b>	150A lamp / 166A motor
<b>Contact Form</b>	1 Form C / SPDT	<b>Resistive Load / Switching Cycles</b>	N/O 30A   N/C 20A , 150,000 cycles N/O 40A, 100,000 cycles
<b>Contact Material</b>	AgSnO <sub>2</sub>	<b>Inductive load / Switching Cycles</b>	N/O 35A, 100,000 cycles
<b>Operating / Drop out Voltage</b>	≤ 8.0V / ≥ 1.0V	<b>Lamp Load (capacitive) / Switching Cycles</b>	N/O 30A, 100,000 cycles
<b>Max.Coil Voltage</b>	18V	<b>Vibration</b>	20 – 200 Hz, 50 m/s <sup>2</sup> , 6 h per axis
<b>Coil Resistance</b>	100 Ohm ± 10% (excluding suppression component)	<b>Mechanical Shock</b>	500 m/s <sup>2</sup> , 11 ms, period: 1 min, 1,000 times
<b>Suppression</b>	Resistor, 680 Ohm	<b>IP Rating</b>	IP54 DIN IEC 60 529
<b>Mechanical Cycles</b>	10,000,000	<b>Terminals</b>	85, 86: ISO 8092 6.3 x 0.8, CuZn, gal Sn 30, 87, 87A: ISO 8092 6.3 x 0.8, E-Cu, gal Sn

**Mini ISO Relay**

- 24 Volt
- SPST / Form A
- Resistor Coil Suppression
- 20 Amp Continuous
- Mounting Bracket

**Diagram**



**Accessories**

- H84989031** RELAY SOCKET MINI 5 TERM PRINTED CIRCUIT BOARD, Qty: 1
- H84989037** RELAY SOCKET MINI 5 TERM PRINTED CIRCUIT BOARD, Qty: 50
- H84989011** RELAY SOCKET MINI 5 TERM W/ BRACKET, Qty: 1
- H84989017** RELAY SOCKET MINI 5 TERM W/ BRACKET, Qty: 50
- U84989017** RELAY SOCKET MINI 5 TERM W/ BRACKET, Qty: 1,000
- H84526001** RELAY SOCKET MINI 5/9 TERM W/ BRACKET, Qty: 1
- 003526002** RELAY SOCKET MINI 5/9 TERM W/ BRACKET, Qty: 50
- 003526001** RELAY SOCKET MINI 5/9 TERM W/ BRACKET, Qty: 1,000
- H84989021** RELAY SOCKET MINI 5 TERM F/HARNESS, Qty: 1
- H84989027** RELAY SOCKET MINI 5 TERM F/HARNESS, Qty: 50
- 701235033** TERMINAL 6.3MM x 0.8MM W/ CATCH, Qty: 100
- 701235034** TERMINAL 6.3MM x 0.8MM W/ CATCH, Qty: 1,500

\*All measurements are in Millimeters.

**Notes**

**Cross Reference**

Bosch

0 332 209 138