



BRIEF INFORMATION

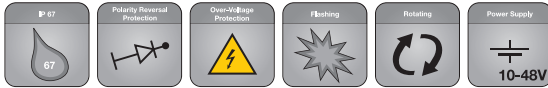
HELLA VALUEFIT MEGA beacons

- A beacon in fixed and magnetic base versions in amber, blue, green and red lens with IP 67 protection
- Ideally suited for non-regulated regions
- Effective short term protection against spike in voltage and polarity reversal

Product features

HELLA VALUEFIT MEGA beacons are available in amber, blue, green and red. The amber and the blue version come with a magnetic base variant and a cigarette lighter connection. The product performs rotating and single flashing functions. This beacon series with 32 LEDs has a power consumption of just 7 watts, making it the ideal entry point for switching from halogen to LED technology. Base and housing are made of sturdy polycarbonate.

TECHNICAL DETAILS

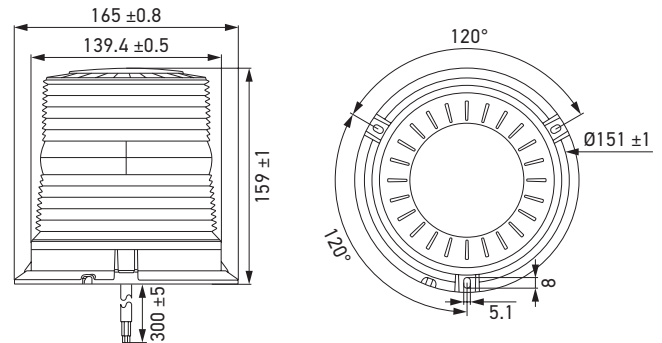


Technical data

Rated voltage	Multi voltage
Operating voltage	10–48 V
Current consumption*	0.5 W per LED
Power consumption	7 W
Lighting function	Rotating and single flashing
Light source	LED
Colour temperature	2,700 K
Material	Polycarbonate lens and base
Weight	Net weight: Fixed versions 447 g Magnetic versions 662 g
Temperature range	-30 °C to +60 °C
Protection class	IP 67
Mounting	Upright
Connection	300 mm cable leads
Amount of LEDs	32
Mounting specification	Fixed: Bolt mounting with 3 pcs M4 Magnetic Mounting: With 3 m spiral cable for cigarette lighter
Magnet load resistance	3 kg

* at max. power

Dimensional sketch



PROGRAM OVERVIEW

Product picture	Description	Scope of supply	Part number
	HELLA VALUEFIT MEGA beacon fixed, amber	Wire harness, switch, connector, relays	2XD 357 960-001
	HELLA VALUEFIT MEGA beacon fixed, blue	Wire harness, switch, connector, relays	2XD 357 960-101
	HELLA VALUEFIT MEGA beacon fixed, red	Wire harness, switch, connector, relays	2XD 357 960-201
	HELLA VALUEFIT MEGA beacon fixed, green	Wire harness, switch, connector, relays	2XD 357 960-301
	HELLA VALUEFIT MEGA beacon magnetic, amber	-	2XD 357 960-011
	HELLA VALUEFIT MEGA beacon magnetic, blue	-	2XD 357 960-111