



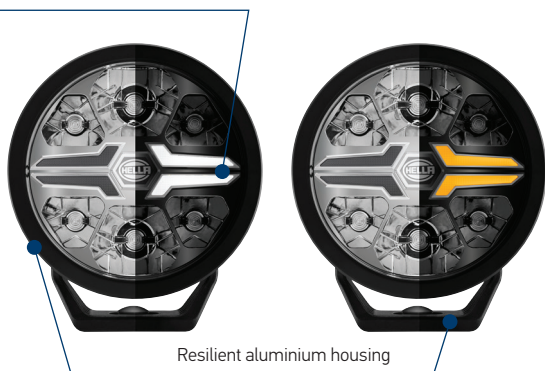
BRIEF INFORMATION

Blade LED auxiliary lights

- Auxiliary headlamp with innovative LED position light in white or amber
- Optional white or amber position light
- For individual, attention-grabbing vehicle styling (off-road use)
- Compact design with shallow mounting depth

PRODUCT FEATURES

Innovative LED position light
in white or amber



Resilient aluminium housing


Resilient fastening bracket made of glass fibre (PA66 + GF)

- Bright auxiliary light with striking design makes a statement on any vehicle
- The innovative design of the LED position light with razor-sharp contour supports the characteristic look of the new Blade series
- 6" versions are ideal for mounting on off-road vehicles and SUVs
- High-quality, robust auxiliary light with aluminium housing and fastening bracket made of glass fibre (PA66 + GF)
- Resilient mounting with black screw
- Multi-voltage: suitable for 12 V and 24 V rated voltage
- Electromagnetic compatibility (ECE-R10 EMC)


Versions

- Round design in 6" with LED position light white / amber with black housing

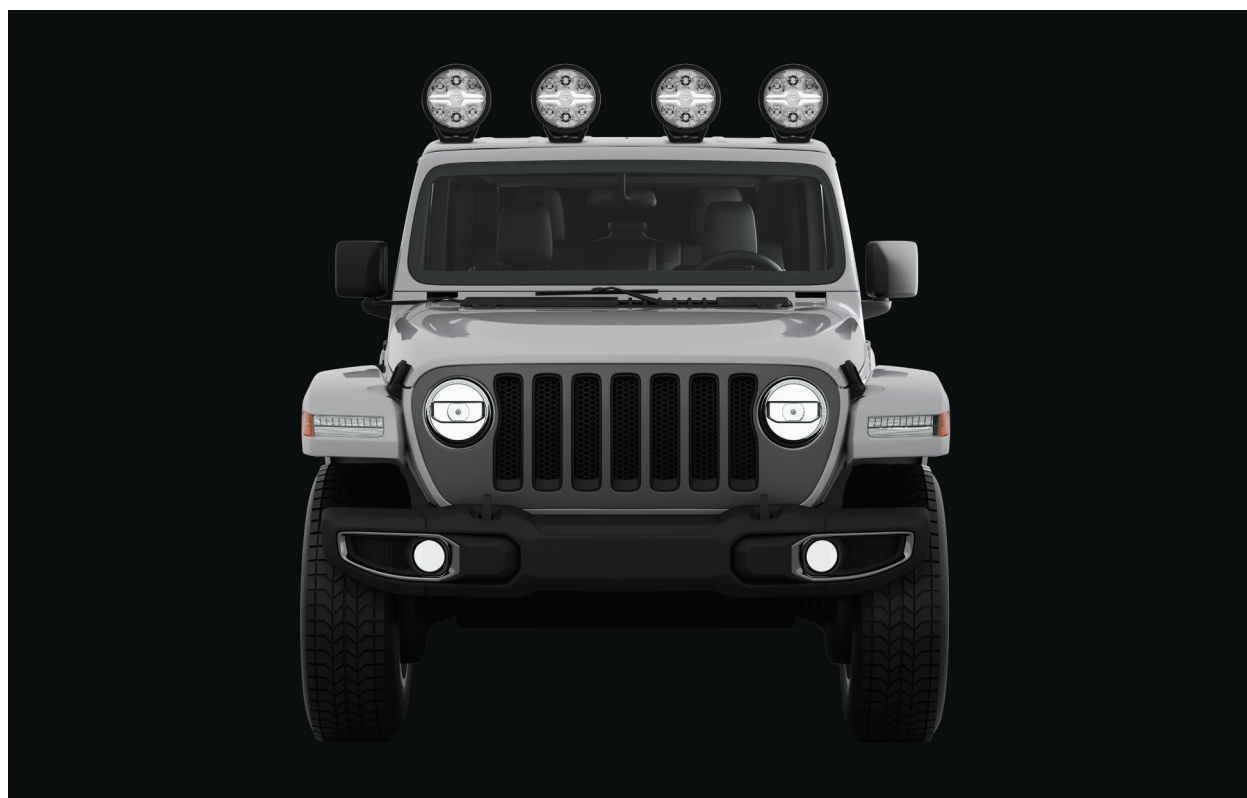
PROGRAM OVERVIEW

Product Image	Variant	Description	Position Light Colour	Part Number
	HELLA Blade 6 inch round	Set, incl. 2 lights and 2 caps	White or amber (connection optional)	358228801

ACCESSORIES

Product Image	Description	Part Number
	Protective caps with HELLA logo present and translucent position light contour. HELLA Blade 6 inch, round cover	358198031

APPLICATION EXAMPLE



TECHNICAL DETAILS

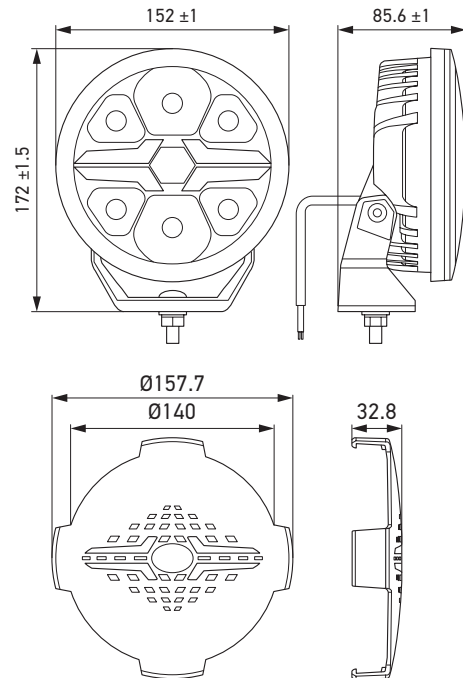
BLADE 6 INCH ROUND



Technical data

Rated voltage	Multi-voltage
Operating voltage	12 – 24 V DC
Power consumption	90 W
Light function	Auxiliary light and PO light
Light source	LED
Colour temperature	6,000 K (headlamp)
Material	Housing: Aluminium Bezel: Plastic (ABS) Lens: PC (Polycarbonate) Bracket: Plastic / glass fibre PA66 + GF
Housing colour	Black
Weight	980 g
Temperature range	Ambient temperature: -30 °C to +60 °C Storage temperature: -40 °C to +80 °C
Degree of protection	IP 69K, IP 67
Type approval	ECE-R10 (EMC)
Number of LEDs	6
Mounting	Upright
Connection	500 mm cable with open ends
Application	Off-road vehicles and trucks

Dimensional sketch



Round cover, 6 inch (8XS 358 198-031, optional accessories)

ILLUMINATION

The light distribution shows two operational headlamps.

HELLA Blade 6 inch round

